

PARTS MANUAL

ZDYT SERIES SELF-PROPELLED MAST LIFTS

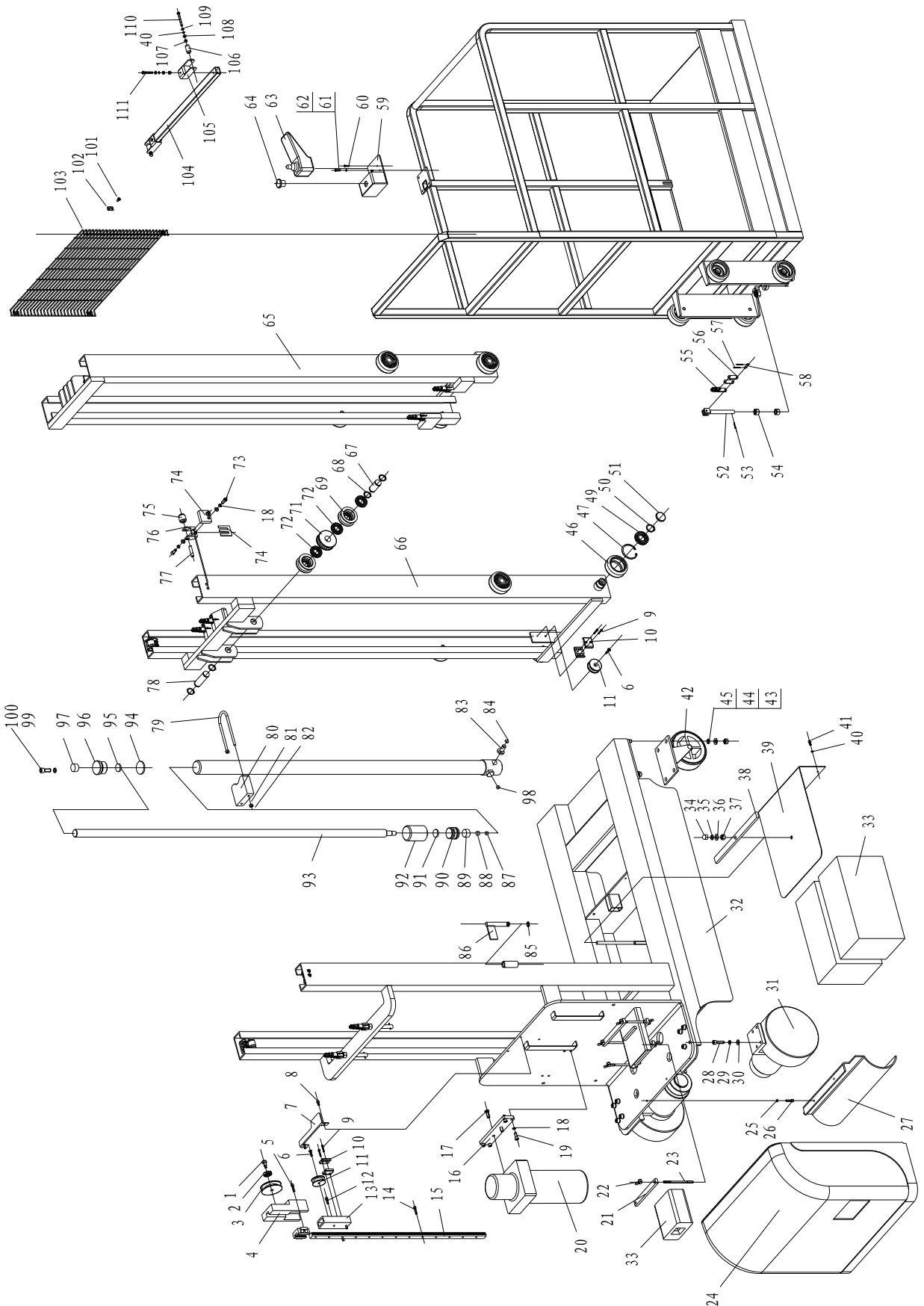


WARNING

THE MANUFACTURER SHALL NOT BE HELD LIABLE IN CASE OF FAULTS OR ACCIDENTS DUE TO NEGLIGENCE, INCAPACITY, INSTALLATION BY UNQUALIFIED TECHNICIANS AND IMPROPER USE OF THE MACHINE

DO NOT OPERATE THIS MACHINE UNTIL YOU READ AND UNDERSTAND ALL THE DANGERS, WARNINGS AND CAUTIONS IN THIS MANUAL

IX SPARE PARTS



SPARE PARTS

ITEM	DESCRIPTION	QTY	ITEM	DESCRIPTION	QTY
1	Bolt	1	32	Outer mast frame	1
2	ball bearing	1	33	Battery	2
3	Nylon pulley	1	34	Charge	1
4	Fitting seat	1	35	Nut M12	9
5	Bolt M6 x 30	2	36	Spring washer12	11
6	Bolt M6x20	2	37	Plat washer 12	10
7	Cover	1	38	Nut M12	1
8	Bolt M5 x 14	2	39	Battery charger hold-down channel	1
9	Bolt M4 x 10	4	40	Cover with battery	1
10	Clip	4	41	Spring Washer 6	2
11	Nylon pulley	2	42	Srcew M6*12	2
12	Bolt M4 x 10	2	43	Lateral roller retainer	2
13	Fitting seat	1	44	Plat washer D12	8
14	Bolt M8 x 20	2	45	Nut M12	8
15	Guide	1	46	Spring Washer	8
16	Motor seat	1	47	Roller	10
17	Bolt M10*25	2	48	Circlip 62	10
18	Spring Washer 8	12	49	Bearing 180206	10
19	Bolt M8*25	4	50	Circlip 30	10
20	Hydraulic power unit	1	51	Spacer	10
21	Battery charger hold-down channel	4	52	Chain bolt	4
22	Screw	8	53	Pin D2.5	4
23	Bolt	4	54	Nut M14	8
24	Cover	1	55	Chain LH0844	4
25	Spring washer 6	2	56	Enlarge chain plat	16
26	Nut M6	2	57	Pin D2	16
27	Motor baffle	1	58	Chain pin	8
28	Bolt M10*35	8	59	Handle seat	1
29	Spring washer 10	8	60	Screw M4-16	2
30	Plat washer10	8	61	Screw M5-16	4
31	Rear wheel	2	62	Washer D5	1

SPARE PARTS

ITEM	DESCRIPTION	QTY	ITEM	DESCRIPTION	QTY
63	Handle	1	94	O-ring	1
64	Switch	1	95	O-ring	1
65	Third welded mast	1	96	Head	1
66	Second welded mast	1	97	Dust seal	1
67	Axle 2	1	98	Explosion relief valve	1
68	Circlip D25	8	99	Screw M12-35	1
69	Sprocket	4	100	Spring washer D12	1
70	Nylon pulley	2	101	Screw M6×12	4
71	Bearing 60105(6005Z)	12	102	Plate	4
72	Screw M8-25	8	103	Cover	1
73	Joint plat	4	104	Bar	1
74	Spacer	8	105	Hold frame	2
75	Lateral roller	4	106	Roller	1
76	Lateral roller retainer	4	107	Nut M6	2
77	Axle	4	108	Washer 6	2
78	Axle 1	1	109	Nut M6	2
79	Anchor loop	1	110	Washer D6	4
80	Rubber pad	1	111	Bolt M6x55	2
81	Plat washer8	4	112	Bolt M6-45	2
82	Nut M8	2			
83	Pin	1			
84	Circlip 20	1			
85	Circlip 16	1			
86	Stop block	1			
87	Pin	1			
88	Nut	1			
89	Gasket ring	1			
90	Piston	1			
91	O-ring	1			
92	Spacer sleeve	1			
93	Piston rod	1			

APPENDIX PERIODIC REPLACEMENT PARTS

INDEX	DESCRIPTION	QTY.	ITEM#
1	Caster	2	42
2	Adjustment sheet	N	74
3	Roller shaft	4	77
4	Lateral roller	2	75
5	Sprocket shaft II	1	78
6	Sprocket shate I	1	67
7	Circlip 25	1	68
8	Circlip 15	2	54
9	Roller	8	46
10	Bearing	8	49
11	Circlip 30	8	50
12	Circlip 62	8	47
13	Spacing piece	8	51
14	Spacer	8	51
15	Circlip 20	1	84
16	Gasket ring	1	88
17	O-ring	1	90
18	O-ring	1	93
19	O-ring	1	94
20	Dust seal	1	96
21	Anchor loop	1	79